

# VANGUARD TOPPER LIGHT



Available models:

**VANGUARD PL** (artwork enhanced by L.e.d. back lighting), with either chrome or black front frame; upon request burnished frame available.

**VANGUARD PL Rainbow** (iridescent plexy engraving), with either chrome or black front frame; upon request burnished frame available.

Any version can be chosen either with multicolour RGB, or blue, or white light.

The onboard control set of the RGB versions allows to switch from the mixed colours patterns to single colour patterns (red, or blue, or green, or white).

**VANGUARD NEON** (artwork enhanced by L.e.d. back lighting), with either chrome or black front frame; upon request burnished frame available.

**VANGUARD NEON Rainbow** (iridescent plexy engraving), with either chrome or black front frame; upon request burnished frame available.

Any version can be chosen either with multicolour RGB or white light.

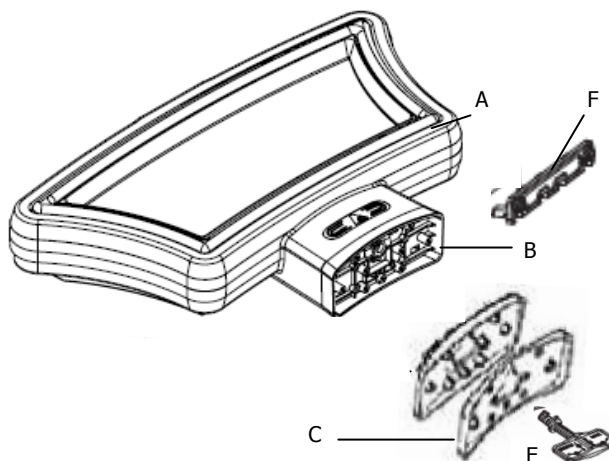
The onboard control set of the RGB versions allows to switch from the mixed colours patterns to single colour patterns (red, or blue, or green, or white).

## TECHNICAL DATA

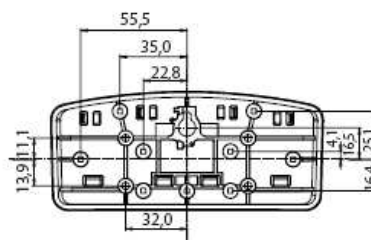
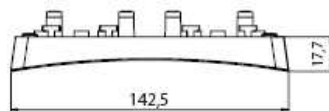
<b>Power supply</b>	<b>12Vdc , and 5 Vdc</b>
<b>Current draw</b>	<b>500 mAmp</b>
<b>Artwork Leds luminous power</b>	<b>280 Lumen</b>
<b>Bezel LEDs luminous power</b>	<b>600 Lumen</b>

## THE SET CONTAINS

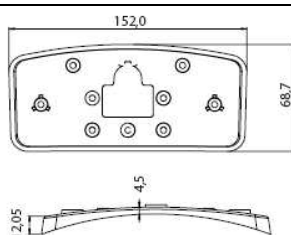
- A. Vanguard Topper Light
- B. Standard adapter for r=441mm dome
- C. Adapter for r=222mm dome
- D. Adapter for flat shelf
- E. tool for fixation from inside the dome
- F. bar for fixation from outside the dome
- G. n° 2 screws  $\varnothing 2,9 \times 9,5$  for fixing bar



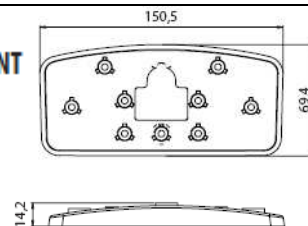
### STANDARD SUPPORT r441



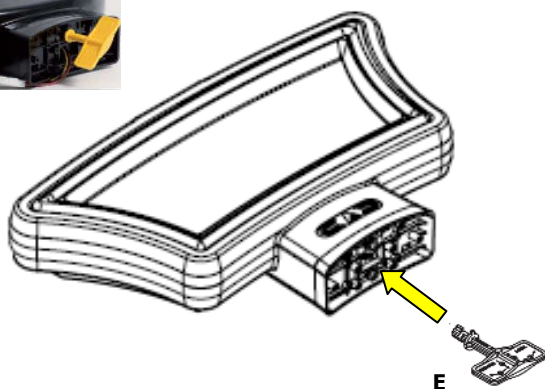
### ADAPTER r 222



### ADAPTER FOR SHELF-MOUNT

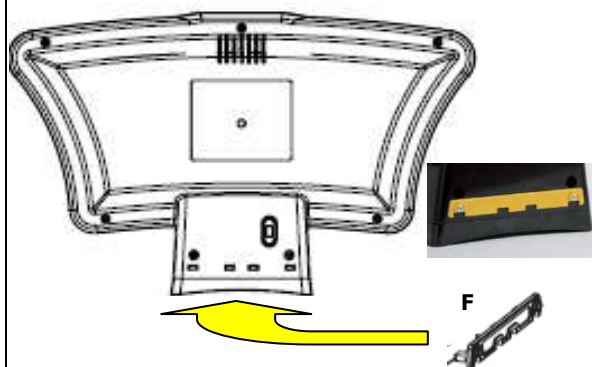


## TOOLS FOR FASTENING



#### MOUNTING FROM THE INSIDE OF THE DOME:

USE TOOL E TO FASTEN THE TOPPER TO THE PREVIOUSLY MOUNTED SUPPORT.



#### MOUNTING FROM THE INSIDE OF THE DOME (NO NEED TO OPEN THE MACHINE):

USE BAR F AND RELEVANT SCREWS G TO FASTEN THE TOPPER TO THE PREVIOUSLY MOUNTED SUPPORT.

## PROGRAMMING BEZEL LED COLOURS AND BRIGHTNESS

Lay the topper face downside. Remove the 6 screws placed along the rear perimetre as well as the 2 screws located in the stem rear face. Rotate the topper face up, lift up the front bezel and lay it aside.

Pull apart the two plexy layers, and the artwork. The board controls are now accessible.

**Adjustment of bezel led brightness (3 levels)** - switch power on; then, by pressing several times the button located at the edge of the board, set the desired brightness level:

- 1st touch: maximum brightness
- 2nd touch: middle intensity brightness
- 3rd touch: lowest brightness

The latest chosen value remains set until next activation of the edge button.

**Programming the bezel led colour(s) (only in RGB models):** switch power off; then, while holding the edge button pressed, switch power on.

Release the button: from now on, by pressing several times the button located at the edge of the board, set the desired colour:

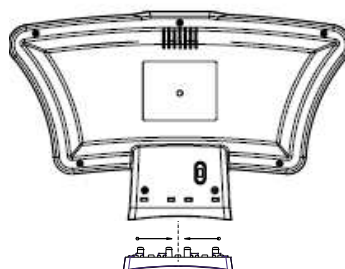
- 1st touch: all leds red light
- 2nd touch: all leds green light
- 3rd touch: all leds blue light
- 4th touch: all leds white light
- 5th touch: RGB (multicolour) operation

If 5" elapse after touching the button, the latest chosen colour gets set, and the board returns to stand-by condition. If necessary, start again the programming mode (as above explained), and repeat the setting operation.

Once set the desired colour, let 5" elapse.

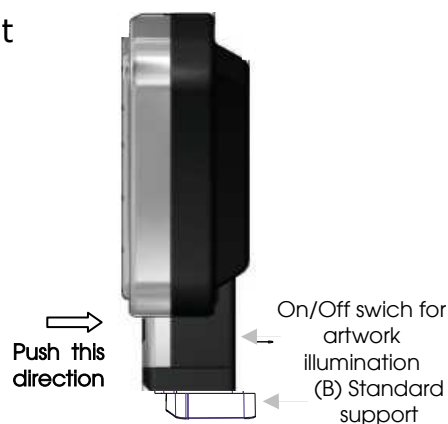
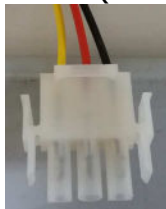
## MOUNTING THE TOPPER

1. Fasten the standard support (B) on the machine dome. Add the adapter (C) if the radius of the dome is 222 mm, or else add the adapter (D) if the Topper is to be mounted onto a shelf. See dimensional drawings, pag. 3 .
2. Slip the Shuttle harness into the dome.  
*Take care that the harness remains within its seat!*
3. Locate the Topper in position.  
*Pay attention: the support rear hooks must remain within the Topper base.*



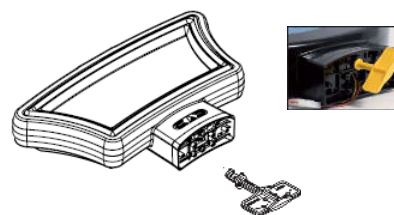
- Pull the Topper down onto the (B) support, then push it backward so that the hooks clip in completely in their seats.
- Connect the harness to the voltage supplies:  
+12 Vcc between yellow (+) and black (GND) wires  
+ 5 Vcc between red (+) and black (GND) wires.

Artwork  
backlight by  
LED strip  
(3p MATE-N-  
LOCK PLUG)

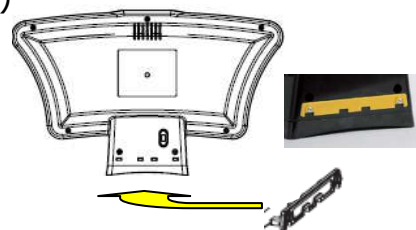


- Two quick-fix modes are available: from the inside of the machine dome, by the flag-tool E provided (**a**), or, from the Topper rear side, by the fixing bar F (**b**).

**a. Quick-fix by flag-tool:** insert the flag tool E through the machine dome into its seat in the Topper support. Rotate it 180° clockwise until it gets tight. Leave it in its seat.



**b. Quick-fix by fixing bar:** place the fixing bar (F) in its seat behind the Topper shaft, pull it 5 mm down, and fasten it by the two screws (G) provided.



[When choosing method **b**, take care to clamp the electric connectors, and to give the machine cable approx. 10 cm excess length: this will make dismount easy].

- The traditional method of tightening the Topper and support to the dome can anyway be used, if preferred.
- The back-illumination of the artwork can be controlled by the red slide switch in the rear side of the Shuttle stem.
- Switch the machine on and check operation of the Topper Light.

## DISMOUNTING THE TOPPER

- Switch the machine OFF.
- a. If the Topper is mounted by flag-tool:**  
open the dome and disconnect the harnesses.  
Turn flag-tool 180° anticlockwise, and remove the tool.  
Pull the Topper forward and lift it up, removing it from its support.

**b. If the Topper is mounted by fixing-bar:**  
remove the two screws (G), slip the bar 5 mm upwards and unlock it. Pull the Topper forward and lift it up, removing it from its support. Gently pull the harness until its connector plug pops out, then disconnect it from the machine harness.



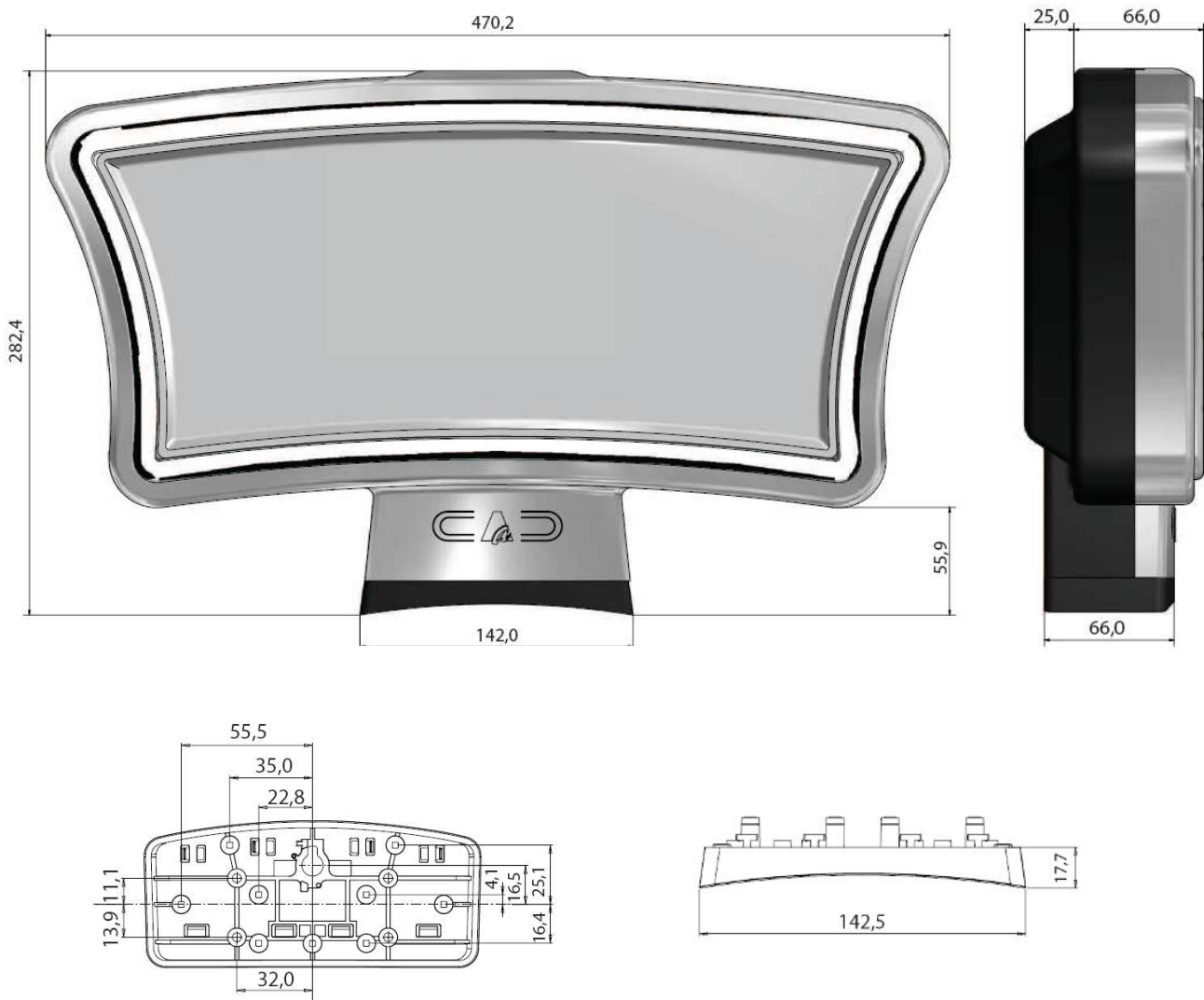
## MOUNTING/REPLACING THE ARTWORK

Lay the topper face down. Remove the 6 screws placed along the rear perimetre as well as the 2 screws located in the stem rear face. Rotate the topper face up, lift up the front bezel and lay it aside.

Pull apart the two plexy layers, put back the lower one on the support ribs, fit the artwork and cover it by the upper plexy layer.

Fit the front bezel, hold the whole Topper and again lay it face down. Pay attention not to stretch the power harness. Tighten the 8 screws in.

## SIZE





**IMPORTANT! Comply with the regulations when recycling  
packing waste or when scrapping the product!**

*Ref.: EU Directive 2002/96/EC*

## NOTICE

Alberici S.p.A. reserves the right to make modifications on the Products here described without previous notice, to the aim of constantly improve the Products.



Via Ca' Bianca 421  
40024 Castel San Pietro Terme  
(BO) - ITALY

Progettazione e produzione di sistemi di pagamento, accessori per videogames e macchine vending  
Design and manufacture of payment systems, accessories for videogames and vending machines

Tel. + 39 051 944 300

Fax. + 39 051 944 594

<http://www.alberici.net>

[info@alberici.net](mailto:info@alberici.net)